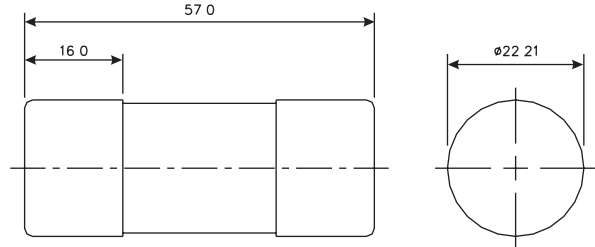




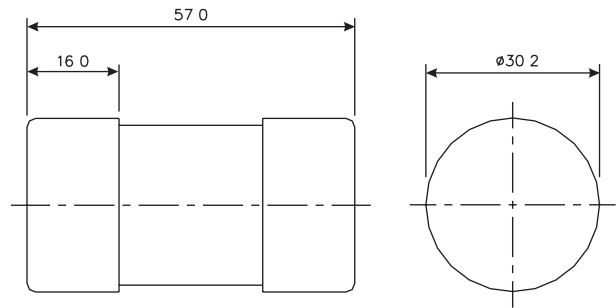
### House Service Cut-out Fuse Links

Designed for use in conventional house service cut-outs, ASTA certified and tested in accordance with BS1361.

**Cylindrical Types**  
Dimensions in mm



Dimensions for KR85



Dimensions for LR85

Order Code: Rating + KR85  
 Ratings (A): 5, 10, 15, 20, 25, 30, 40, 45, 50, 60, 70, 80, 90, 100  
 Rated Voltage (V): 415 ac  
 Carton Quantity: 20  
 Data sheet number: 4185

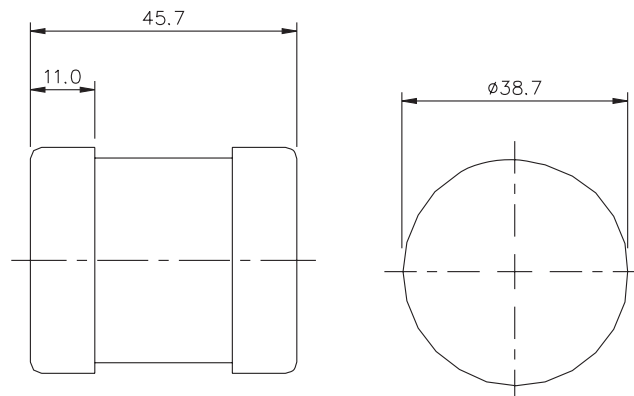
Order Code: Rating + LR85  
 Ratings (A): 30, 40, 50, 60, 80, 100  
 Rated Voltage (V): 415 ac  
 Carton Quantity: 20  
 Data sheet number: 4186

### Type 'J' Cylindrical Fuse Links

Bussmann type 'J' Low Voltage HRC Fuse Links are designed for use with wedge type fuse carriers. These fuse links are primarily for use by Electricity Supply Authorities in distribution pillars, open type substation boards, heavy duty service cutouts and underground connecting boxes. Type 'J' are available with either slotted or non slotted tags and cylindrical styles. They can therefore be accommodated in almost all makes of wedge contact type fuse carrier.

'J' type fuse links comply with the requirements of BS88: Part 5 and have been ASTA certified for category of duty 415V ac, i.e. 46,000 A rms. symmetrical at 415V.

Type 'J' cylindrical design with ferrule end caps for use in pole or wall mounted outdoor service fuse units. Category of duty 415AC46 Class Q1.

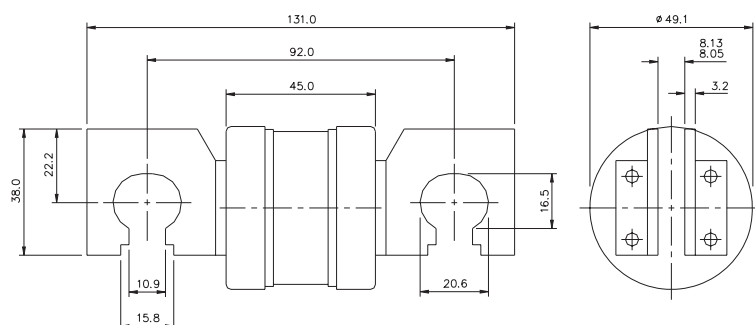
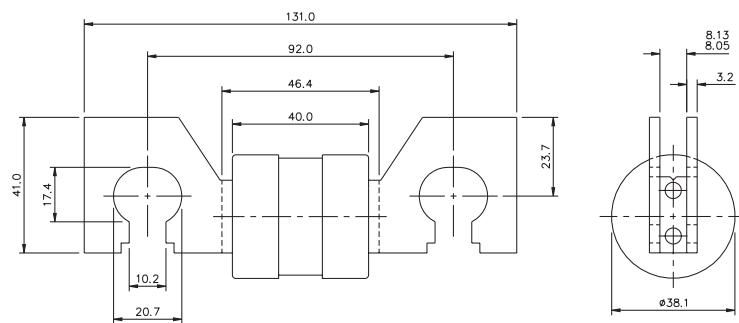
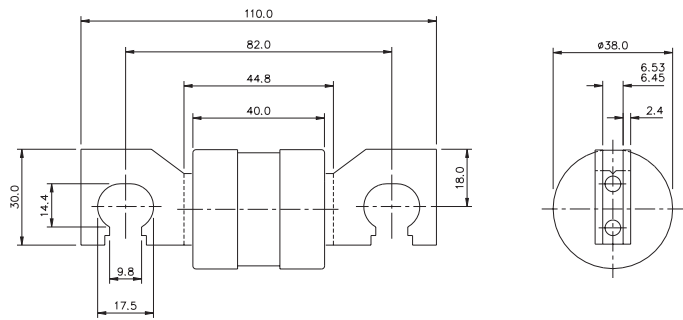
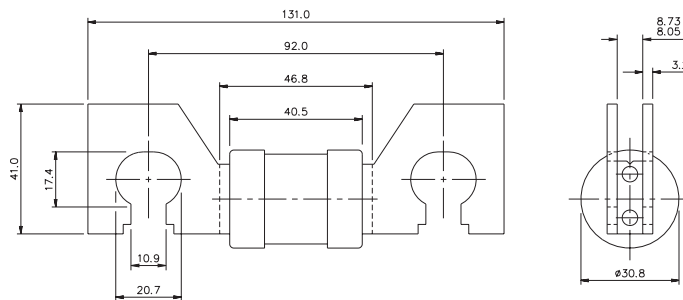
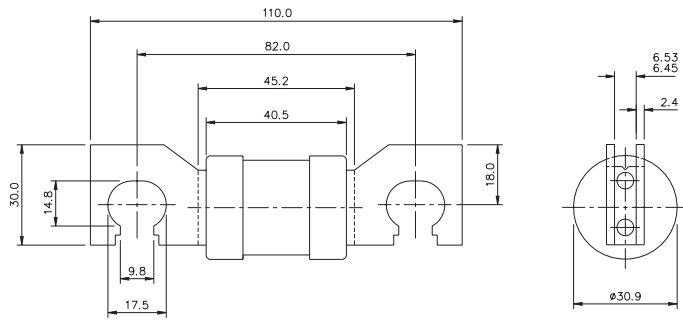


Dimensions in mm

Order Code: Rating + MJ25-6  
 Ratings (A): 20, 32, 40, 63, 80, 100, 125, 160, 200, 250  
 Rated Voltage (V): 415 ac  
 Carton Quantity: 10  
 Data sheet number: 4177

## Type 'J' Slotted

Dimensions in mm



Order Code:	Rating + MJ30-8
Ratings (A):	32, 40, 50, 63
Rated Voltage (V):	415 ac
Carton Quantity:	10

Order Code:	Rating + MJ31-7
Ratings (A):	20, 25, 32, 40, 50, 63, 80, 100, 125, 160, 200, 250, 315
Rated Voltage (V):	415 ac
Carton Quantity:	10
Data sheet number:	4180

Order Code:	Rating + PJ30-7
Ratings (A):	355, 400
Rated Voltage (V):	415 ac
Carton Quantity:	10
Data sheet number:	4179

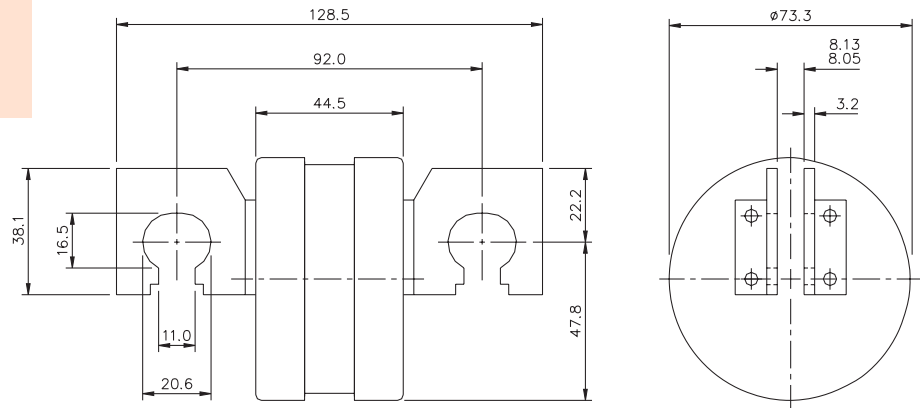
Order Code:	Rating + PJ31-7
Ratings (A):	355, 400
Rated Voltage (V):	415 ac
Carton Quantity:	10
Data sheet number:	4181

Order Code:	Rating + RJ31-7
Ratings (A):	450, 500
Rated Voltage (V):	415 ac
Carton Quantity:	10
Data sheet number:	4182

Order Code: Rating + SJ31-6  
 Ratings (A): 560, 630  
 Rated Voltage (V): 415 ac  
 Carton Quantity: 10  
 Data sheet number: 4183

## Type 'J' Slotted

Dimensions in mm



Order Code: Rating + SJ28  
 Rating (A): 800  
 Rated Voltage (V): 415 ac  
 Carton Quantity: 10  
 Data sheet number: 4184

## Type 'J' non-slotted

All dimensions in mm

